

FARMLIFT



TAKE YOUR BUSINESS TO NEW HEIGHTS

Where there is grain to be loaded, bags to be shifted, bales to be stacked, manure to be moved, Farmlift telescopic loaders bring the same qualities you have come to expect from Case IH tractors and harvest equipment to the job of moving every material on the farm. A range of six models, with lift capacities of 2,500-4,200kg and maximum lift heights of 5.7-9.1m, the new Farmlift line bears the same hallmarks that make every Case IH machine worthy of the name - ruggedness, reliability, intuitive controls and outstanding comfort, coupled with immense power, speed and agility. From the livestock farmer who needs a nimble, compact telescopic loader, to the biggest livestock business that requires a machine with big lifting capabilities and high output rates – Farmlift is the answer. The Farmlift range has the proven reliability to work non-stop, 365 days a year, carrying out a variety of tasks, even on the coldest of mornings. Whatever you farm, chances are that moving materials from one place to another forms a fairly regular part of your operation. Read on to find out why a Case IH Farmlift could bring a boost to your business.

A MODEL TO LIFT EVERY LOAD

Case IH has always catered for the needs of almost every type of farm, and the Farmlift line of telescopic loaders continues that tradition. From the compact 525, just 1.8m wide and less than 2m high, to the work-hungry 4,200kg max capacity of the 742 and the enormous 9.1m reach of the 935, and plenty of models in between, there's a machine to meet every need in the Farmlift range. With side-mounted engines on all models, all-round vision is superb, making for easy and safe operation whether working in enclosed buildings, open yards or out in the field. Whether it's a hydrostatic transmission, a Powershift or Autoshift transmission, they ensure there's never any shortage of grip, while there's always plenty of power, courtesy of proven engines which are Stage IIIB compliant and deliver low-down torque for digging in when you need it most.

The high output 635 and 742 Farmlift models offer huge productivity levels thanks to powerful engines that make them ideally suited to big farms and contractors. These high specification machines get jobs done quickly and comfortably. Versatile 632, 735 and 935 Farmlifts are able to handle multiple tasks with ease, day in day out. High hydraulic flow rates, tight turning circles and big lifting capabilities mean these all-round machines suit a range of different sizes and types of farm.

The compact 525 Farmlift is ideally suited to working in livestock sheds with restricted height roofs and doorways and limited-width entrances. A tight turning capability, with compact dimensions but powerful engine, and big lifting capacity make this machine the ideal choice for smaller livestock enterprises.

MODELS	Lift capacity	Max. reach	Engine rated / Max. power	Transmission	Load Sensing Hydraulic System
Farmlift 525	2.5to	5.7m	74hp / 121hp	Hydro 1 speed	Gear Pump 80l
Farmlift 632	3.2to	6.1m	110hp / 121hp	4x3 Powershift	Gear Pump 120l
Farmlift 735	3.5to	7.0m	110hp / 121hp	4x3 Powershift	Gear Pump 120l
Farmlift 935	3.5to	9.1m	110hp / 121hp	4x3 Powershift	Gear Pump 120l
Farmlift 635	3.5to	6.1m	129hp / 143hp	6x3 Autoshift	Variable Piston Pump 140l
Farmlift 742	4.2to	7.0m	129hp / 143hp	6x3 Autoshift	Variable Piston Pump 140l





DESIGNED FOR HANDLING EFFICIENCY

We designed and built the Farmlift telescopic loader range to meet the varied needs of today's agriculture – from the small farmer to large operations. Whatever your needs, there is a Farmlift for you. Whatever model you choose, you know you can count on superior operating comfort, short loading times and quick vehicle response.



WORK IN COMFORT

All Farmlift models come with high visibility, low noise and good ergonomics as standard. Be as comfortable as you want to be: from the simplicity of the Farmlift 525 to the luxurious comfort of the Farmlift 742, you can choose the model that best suits your needs. Ventilation is standard, while air conditioning is available as an option on all models. The stable frame guarantees safety on every Farmlift.



ALL THE POWER YOU NEED

Every engine in the range is designed to deliver maximum efficiency. Ranging from the 74hp of the compact Farmlift 525, to 129hp (143hp maximum power) of the Farmlift 635 and 742 at the top of the range, you always have the power you need for your handling work. All models feature a four-cylinder engine and meet the EURO IIIB emissions standards. Farmlift models above 110hp are fitted with our SCR technology.





OPTIMISED POWER

All the driveline components are perfectly combined to optimise power. Exceptional performance and frugal fuel consumption come as standard with the Farmlift. This is achieved on the Farmlift 525 with a hydrostatic transmission and variable delivery pump. All other models feature a 4x3 Powershift transmission. The Farmlift 635 and 742, at the top of the range, are available with a 6x3 Autoshift transmission. The Powershuttle on all models makes it easy to move around small yards or buildings.

HYDRAULIC EFFICIENCY

Every model has the perfect hydraulic system to maximise its power and efficiency. The robust and reliable gear pumps deliver fast cycle times for maximum profitability. The Farmlift 525 features an 80 litre/minute hydraulic pump, the Farmlift 632, 735 and 935 a 120 litre/minute pump, and the Farmlift 635 and 742 a 140 litre/minute pump.

HIGH SAFETY

The Farmlift models feature heavy-duty frames that improve safety. The boom is designed to maximise rigidity and stability. For added safety, an anti-tipping device is standard on all models.

THE RIGHT SIZE FOR EVERY JOB

The Farmlift series stands out for its compact size, exceptionally tight turning radius and low centre of gravity for optimal traction. The smallest model of the range is only 2m high and 1.80m wide, but if you need a high lift capacity, even the model at the top of the range is very compact and the three steering modes enable you to work in the most confined spaces.

EASY SERVICING

The Farmlift telescopic loader is designed and built to work long days. To ensure its maximum reliability, we made servicing easy and quick, so you can take good care of your machine, spending more time at work.



Experience the premium operator cab in the 635 and 742 Farmlift.



Everything in full control in the cab of the 632, 735 and 935 Farmlift.

TAKE COMMAND IN COMFORT

You know Case IH for its long experience in building some of the best tractors in the industry. Now that same design and engineering know-how is available to telescopic loader buyers. Take a seat in a Farmlift and you'll immediately feel at home. With the excellent driving position and superb ergonomics, it's easy to get comfortable in a Case IH Farmlift. Controls are right where you expect them to be, the joystick fits easily in the operator's right hand, making for fast and safe operation, while the left can concentrate on steering.

THE PREMIUM OPERATOR CAB

The cab of the 635 and 742 models is equipped with a luxurious seat with optional air suspension for superior comfort, cushioning you from lumps, bumps and rough ground. It features a backlit joystick integrated into the right-hand armrest and incorporates both shuttle direction change and gear selection features.



Loads are always visible with the expansive glass area.



Safety is ensured through the structure's ROPS/FOPS status.

A HIGH STANDARD OF SPECIFICATION

The Farmlift 632, 735 and 935 models enjoy a high standard of specification, with the ergonomic joystick integrated in the side console, falling directly into the operator's right hand, and a supremely comfortable mechanically-sprung cloth seat. For long summer days, air conditioning can be specified.

LOW PROFILE CABIN AT ITS BEST

While the 525 is designed for smaller operations and areas where access is at a premium, that doesn't mean it's been necessary to skimp on specification. Despite its lower-profile cabin, it enjoys many of the same luxuries as its larger brothers, while the controls retain the same familiar Case IH feel, and all-round vision is almost unimpeded.



Ready to hand - your controls for operation

THE POWER TO PUT EVERYTHING IN ITS PLACE

Case IH recognises that a telescopic loader is often a farm's most used piece of equipment, and that it may well be depended upon day in, day out, for crucial, demanding tasks. That's why we have selected components proven to have the highest reliability. But these are machines that have also been engineered for the lowest possible fuel consumption for the work they are asked to do, and the highest levels of efficiency.

Big jobs need big power, which is why Farmlift 635 and 742 models are equipped with powerful FPT engines that provide 129 or 143hp maximum power. Maximum torque levels of up to 590 Nm at 1,500rpm keep the machine pushing in the most arduous of conditions.

The 110hp (121hp maximum power) FPT engine fitted with the 632, 735 and 935 models ensures that there is always sufficient power on tap to ensure fast cycle times and full job versatility. Common rail technology ensures a high degree of engine responsiveness, and guarantees efficient handling in the most demanding conditions.

The Farmlift 525 features a 74hp turbocharged engine that is a perfect fit for the compact dimensions and tight turning circle of the machine, and matches the demands of its natural livestock farm home.

ADVANTAGES

- Powerful Stage IIIB engines
- Engine offer matches the requirements of each Farmlift
- Impressive torque even at lower engine speeds
- Long oil exchange intervals





TRANSMISSIONS THAT OFFER THE ULTIMATE TRANSMISSION

Robust 6x3 Autoshift and 4x3 Powershift transmissions put the power to the ground on larger Case IH Farmlifts, whilst the compact 525 features an easy to use hydrostatic transmission. All provide exceptional performance and fuel consumption. Driveline components are perfectly matched to optimise power and efficiency, with a robust design aimed specifically at agricultural use. Wet multi-disc clutches ensure smooth and comfortable gear changes, while a declutch button eases operation and makes it safer. A full-time four-wheel-drive system maintains productivity through the most demanding conditions, and the whole Farmlift operating experience bears many parallels to driving a Case IH tractor.

All Farmlifts are fitted with high dynamic load capability axles with limited slip differential (LSD) on the front axle. An LSD can also be specified for the rear axle. Inboard wet disc service brakes offer excellent stopping power whilst being well-protected and simple to service. For comfortable and safe driving a SAHR (spring applied hydraulic release) parking brake is mounted; leave your Farmlift on a steep slope and it will stay there as long as you want.

AUTOSHIFT TRANSMISSION

The 635 & 742 Farmlift feature a 6F x 3R Autoshift transmission. It makes for a comfortable driving experience, ensures handling is efficient, and extends the endurance of transmission components.

- Top travel speed is 40km/hr, reached at 2,200rpm
- Fitted with an 11" torque converter for smooth operation to balance the power
- Powershuttle and gear selection is integrated into the joystick
- Automatic selection of the correct gear for every operation

POWERSHIFT TRANSMISSION

On Farmlift 632, 735, 935 models, a 4F x 3R Powershift transmission puts power right where it's needed.

- Max. top travel speed at 35km/h, attained at 2,200rpm
- Fitted with an 11" torque converter
- Electro-hydraulic valves taking care of altering speed and direction
- Powershuttle guarantees simple operation whilst working

HYDROSTATIC TRANSMISSION

- Features on the Farmlift 525
- Easy and simple to operate with the electrohydraulic powershuttle
- Stepless drive acceleration from 0-26km/h

HYDRAULICS TO HANDLE THE HEAVIEST JOBS

Each Farmlift model is built around a dedicated hydraulic system that's designed specifically for its particular build and its weight and height capabilities. What this focus on component matching means for you is that jobs can be conducted with greater precision, yet are completed more quickly and more easily. It also means that the system is under the minimum of stress, operating at maximum power yet at low operating temperatures.

Farmlift 635 (3.5t to 6.1m) and 742 (4.2t to 7m) models feature a 140l/min variable piston pump with load sensing system, which automatically adjusts oil flow at lower engine speeds. This sort of oil flow rate means a lift-lower-extend-retract-dump-rollback time of just 26.5sec for the Farmlift 635. All hydraulic features are electro-proportionally controlled by the integrated multifunction electronic joystick, located on the end of the seat armrest, offering ergonomic excellence.

The Farmlift 632 (3.2t to 6.1m max), 735 (3.5t to 7m) and 935 (3.5t to 9.1m) models all use a load-sensing gear pump offering a maximum flow of 120 l/min. An ergonomic mechanical joystick allows for the control of up to three functions at the same time.

On the compact Farmlift 525, capable of lifting 2.5t to 5.7m, a robust, reliable load-sensing gear pump provides an impressive 80l/min of oil flow; with the fitted flow sharing pump two operations can be processed at once.



OPTIONAL BOOM SUSPENSION

Cushion loads and give both them and the operator a smooth ride. The system, which can be switched off for stacking operations, also enhances safety as it reduces the risk of unexpected machine and load movement. Activated by the ergonomically-placed dashboard button.



FULL CONTROL ON 635 AND 742

The joystick is integrated in the armrest and you can control everything: boom functions easily and comfortably. Moreover Powershuttle and Powershift gearboxes are controlled with your right hand.



FARMLIFT 635 CYCLE TIME	
Lift	6.7 sec
Lower	5.2 sec
Extend	5.2 sec
Retract	3.7 sec
Dump	2.8 sec
Rollback	2.9 sec
TOTAL TIME	26.5 sec

Excellent stability and smooth boom operation are guaranteed thanks to the combined effects of the Farmlift's hydraulic compensation ram and its tilt ram. These work together to ensure



that the loader's attachment remains parallel to the ground at all times, removing any need to constantly tweak the attachment to keep the load level. The result? Faster cycle times, and more loads shifted in a day.

THE BEST BOOM IN THE BUSINESS

Everything is designed to make your work faster, easier and more productive. Take, for example, the optional quick coupling/uncoupling system available for all Farmlifts, which makes changing attachments as simple as possible. Case IH engineers have thought through every detail to ensure that Farmlift features save you time, make your life simpler, and make your farm more productive. Just as important is your safety; the load status system fitted to every Farmlift ensures that maximum load capabilities cannot be exceeded, and provides full compliance with EN15000 safety directives. Automatic hydraulic load cut-off is the ultimate safety feature, ensuring that, should 100% of maximum load be reached, the boom will extend no further.

ADVANTAGES

- strong and stable chassis
- fully mounted boom for extremely effective counterbalance
- highest standard of safety and stability
- square wheelbase concept to stay firmly planted on the ground



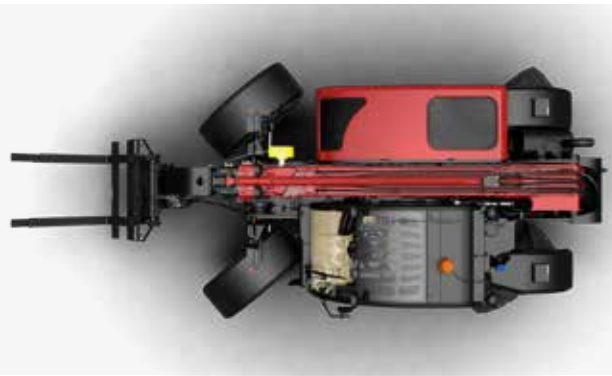
Whatever the job in hand, excellent crowd and dump angles ensure that every load is a full one and discharge is full and fast.



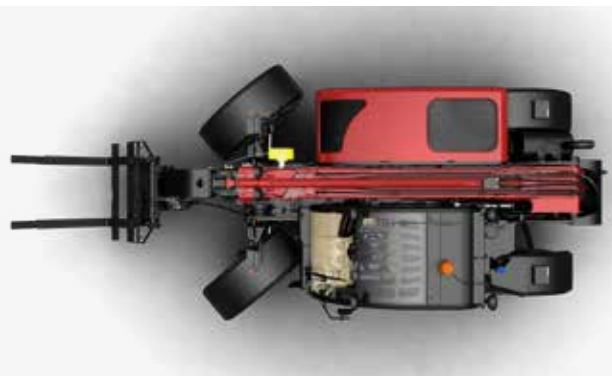
Be informed of your load limits by the monitor security system



Four wheel steer: minimises the Farmlift's turning cycle and maximises manoeuvrability.



Crab steer: angled driving in a straight line, for working along walls, for example.



Front wheel steer: ideal for transport applications and general road work.

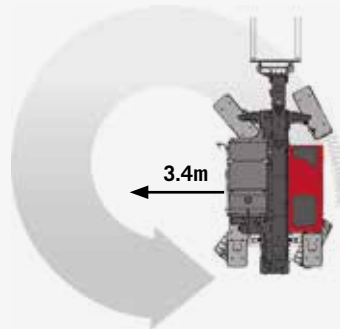
COMPACT, STABLE, AGILE

Whether it's the sub-2m high and wide 525 or the max reach 935, Case IH Farmlifts are designed to give the operator complete confidence in his machine. Compact dimensions were one of the key design criteria across the whole range of machines when our designers drew up their first drafts. All Farmlifts have a low centre of gravity for optimal traction, a compact turning radius, and an agility that comes courtesy of their corner-to-corner wheelbase concept.

Selectable three-way steering features on all Farmlifts, making work easier even in the most challenging surroundings. Three different steering modes are available for working in the most confined spaces.

While they have a 3m wheelbase for excellent stability, thanks to the corner-to-corner wheelbase concept, Farmlift 632, 635, 735, 742 and 935 models all offer a tight outside turning radius of 3.91m. That means less time spent manoeuvring and more accuracy.

The compact dimensions of the Farmlift 525, just 1.8m wide and with a working height of under 2m, makes it the perfect telescopic loader for work in low buildings and through narrow doorways where it may not be possible to work with other types of telescopic loaders.



impressive Turning circle of the 525 Farmlift

THE WHEELBASE BENEFIT:

- 3m long wheelbase gives improved comfort during transport as harsh bumps are absorbed and the operator is cushioned
- The corner-to-corner wheelbase concept offers better stability as weight is more evenly distributed
- The low gravity point gives increased stability when working on uneven terrain
- Rear mounted boom provides a natural counterbalance when lifting the heaviest loads, ensuring machine safety and stability.







Quick and easy cleaning.



Checks are done in a minute.



Easy access to service points.

SERVICING SIMPLICITY

With a Case IH Farmlift servicing is a cinch. Daily checks can be completed in seconds, with easy access to engine oil dipstick, water coolant filler, air filter and radiators, while the easy-opening engine hood can be quickly raised out of the way if greater access is needed. The design of the engine bay gives you easy access when servicing of the engine, electrics or hydraulics is required.

Long service intervals of 500 hours between oil changes keeping you working for longer. Refilling the diesel and urea tanks is a simple, ground-level job, while the fuel cap is lockable to prevent theft.



SERVICE AND SYSTEM SOLUTIONS

When you buy a Case IH machine, you can be sure not only that you're buying the best product, but also that you've got the best dealer back-up behind you. Case IH dealers can offer advice on selecting and financing the right machine, will ensure they deliver what you need when you need it, and will then continue to back you and your equipment with the service and spare parts supply you'd expect from a name as trusted as Case IH.



ALL THE PARTS AND SERVICE TO KEEP YOUR EQUIPMENT RUNNING

Find the full line of Case IH parts and components at your local dealer. Plus full service maintenance programmes and industry leading warranties. It's expertise applied by skilled, factory-trained service professionals committed to providing you maximum uptime, season after season.



AROUND THE CLOCK. AROUND THE COUNTRY

Case IH Max Service is a customer support service that provides 24-hour, seven-day-a-week access to the people, products, and parts support needed to keep your operation running during the times most critical to your profitability. Max Service backs up your dealer with every resource available to Case IH, to help maximise uptime and productivity of Case IH equipment and increase your return on investment through access to product experts and 24/7 emergency breakdown assistance.



AN OPTIMAL FINANCING SOLUTION FOR EVERY INVESTMENT

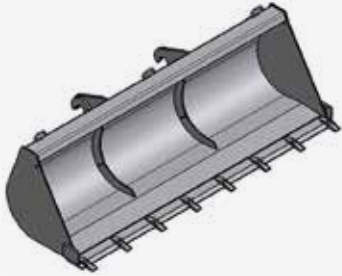
CNH Industrial Capital is the financing company for Case IH. Our employees are experienced financial experts and have many years of experience in agriculture. We not only know about Case IH products and the market, we also understand the individual requirements of your operations. Therefore we are always able to offer you a financial solution for your new investments that is tailored specifically to your operational requirements and respective machine usage in the form of loans, rent or leasing. Our most important goal is improving the profitability of your investments! Therefore you can combine every CNH Industrial Capital Financing with Capital accident and breakdown cover, as machine breakdown or repair insurance, in order to exclude risks to your investment and ensure greater planning reliability.

VISIT OUR FANSHOP AT
WWW.CASEIH.COM



ATTACHMENTS FOR FARMLIFT

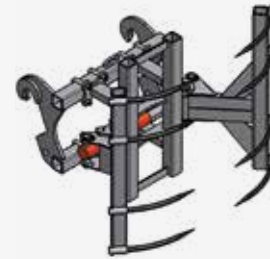
DIGGING BUCKET



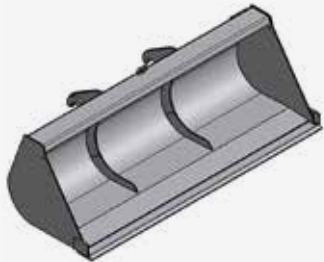
GRAB BUCKET



BIG OR ROUND BALE GRAB



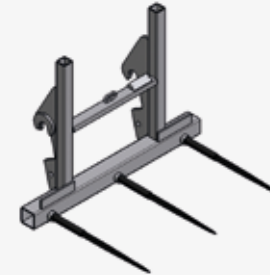
RE-HANDLING BUCKET



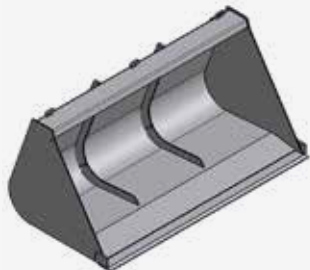
FORK WITH GRAPPLE



BALE SPIKE 3 TINE



GRAIN BUCKET

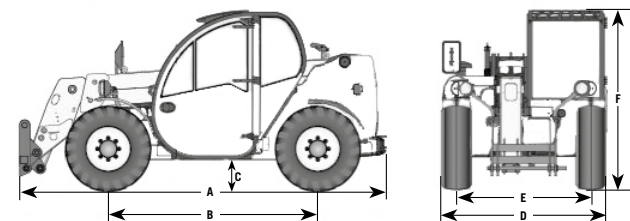


WRAPPED BALE GRIPPER



MODELS	FARMLIFT 635	FARMLIFT 742	FARMLIFT 632	FARMLIFT 735	FARMLIFT 935	FARMLIFT 525
Max. lift capacity (kg)	3,500	4,200	3,200	3,500		2,500
Max. lift height (m)	6.1	7.0	6.1	7.0	9.1	5.7
CYCLING TIMES (SECONDS)						
Lift		6,7		7,4		7,8
Lower		5,2		5,6		4,1
Extend	5,2	6,2	5,5	6,5	8,3	6,1
Retract	3,7	4,5	3,7	4,4	6,3	3,4
Dump		2,8		3,1	3,1	3,5
Rollback		2,9		3,4		2,2
Total Time	26,5	28,3	28,7	30,4	34,1	27,1
BUCKET ANGLE						
Dump angle		118°	109°	118°	109°	118°
Total Rotation angle		142°	131°	142°	131°	129°
ENGINE						
Type	4 cyl., EURO Stage IIIB, Common Rail, Turbo intercooler					4 cyl. EURO Stage IIIB
Displacement (cm³)	4,485					3,331
Rated power ISO14396 - ECE R120 @ U/min (kW/hp)	96 / 129 @ 2,200		81 / 110 @ 2,200		81 / 110 @ 2,200	55 / 74 @ 2,200
Max power ISO14396 - ECE R120 @ U/min (kW/hp)	105 / 143 @ 1,900		89 / 121 @ 1,800			-
Max. torque ISO14396 - ECE R120 @ U/min (Nm)	590 @ 1,500		498 @ 1,500			261 @ 1,500
Tank capacity, Fuel/Urea (l)			140/27			80 / -
TRANSMISSION	105 / 143 @ 1,900		89 / 121 @ 1,800			
Type	6x3 Auto-Shift		4x3 PowerShift			Hydrostatic
Powershuttle	•	•	•	•	•	•
Max. Travel speed (km/h)	40 km/h		35 km/h			26 km/h
AXLES						
Limited Slip differential Front Axle	•	•	○	○	○	•
Limited Slip differential Rear Axle	•	•	○	○	○	•
SERVICE BRAKES						
Type	oil immersed discs, hydraulic power assisted					
Discs per axle	6 front / 4 rear					6 front
Parking brake	Front axle SAHR (Spring Actuated Hydraulic Release)					
HYDRAULIC						
Gear pump (lpm/bar)	-	-	120 / 240			80 / 230
Variable pump (lpm/bar)	140 / 240		-	-	-	-
Tank capacity, Hydraulic oil (l)			105			70
STEERING						
Steering mode	2WS / 4WS / Crab					
WHEELS AND TYRES (MICHELIN OR TRELLEBORG)*						
Standard	460 / 70 R24					12 x 18
Optional	500 / 70 R24					12 x 16.5 Industry
DIMENSIONS ¹⁾						
A: Length fork heel to counter weight (mm)	4,985	5,239	4,985	5,239	5,472	4,100
B: Wheel track (mm)	1,873	1,873	1,873	1,873	1,873	1,500
C: Ground clearance (mm)	415	415	415	415	415	310
D: Max. width (mm)	2,340	2,340	2,340	2,340	2,340	1,800
E: Wheel base (mm)	3,000	3,000	3,000	3,000	3,000	2,350
F: Cab height (mm)	2,447	2,447	2,447	2,447	2,447	1,990
Total weight with forks and driver (kg)	7,935	8,000	7,935	8,000	8,580	4,800

* To comply with legislation and specification in your country ¹⁾ with standard tyres ²⁾ ECE R120 correspond to ISO 14396 and 97/68/EC or 2000/25/EC
• Standard ○ Optional – not available



! Safety never hurts! Always read the Operator's Manual before working with any equipment. Inspect equipment before using it, and be sure it is operating properly. Follow the product safety signs, and use any safety features provided. This literature has been published for worldwide circulation. The standard and optional equipment and the availability of individual models may vary from one country to the next. Case IH reserves the right to undertake modifications without prior notice to the design and technical equipment at all times without this resulting in any obligation whatsoever to make such modifications to units already sold. Whilst every effort is made to ensure that the specifications, descriptions and illustrations in this brochure are correct at the time of going to press, these are also subject to change without prior notice. Illustrations may show optional equipment or may not show all standard equipment. Case IH recommends **ARCELA** lubricants.

CNH UK Ltd., Cranes Farm Road, Basildon, Essex SS14 3AD

© 2016 CASE IH - www.caseih.com - Farmlift COM BRO - Free phone 00800 22 73 44 00 - Printed in Austria - 07/16 - TP01 - Cod. 16C4001COM

